

Designed to assist in Bolus feeding for Pre-Term infants.

The Gavage Syringe Restraining Device "Bungalow" is a multi-functional 3-D platform designed for the feeding, care and protection of Pre-Term infants within NICU and PICU facilities. Placed in the open bassinet, folding from head to toe and slotted on one end, it can gravity feed with a Posey Wrap or from above the infant with a GSRD "Butterfly" or "Tab Restraint". Available in three different colored acrylics, it shields the infants eyes from direct light as well as drafts from above while leaving the sides open for easy access.

- Saves Time
- Saves Costs
- Flexible Use In All Applications
- Reusable
- Designed for Mobility
- Strong Light Weight Design
- 19"H x 11¹/₂"W x 25"L

Product List

Clear Acrylic

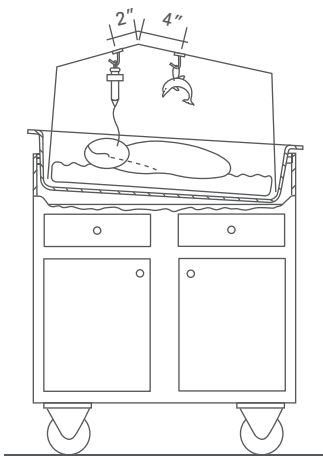
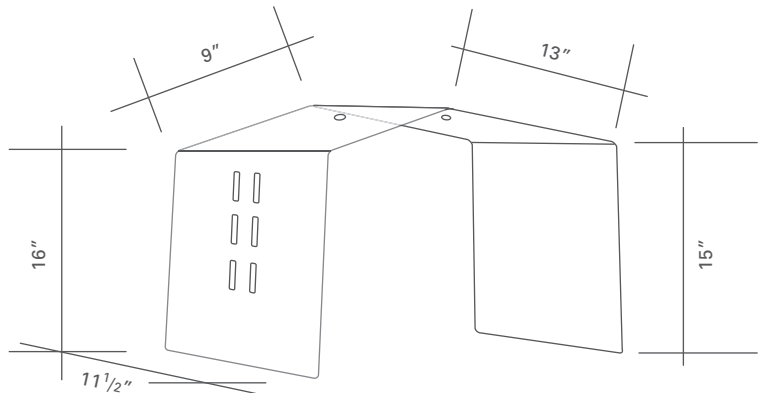
Each unit comes with 2 posey wraps.

Blue Acrylic

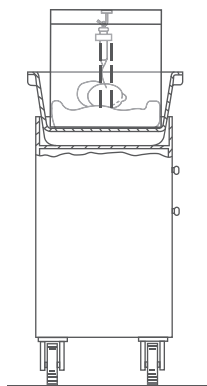
Each unit comes with 2 posey wraps.

Amber Acrylic

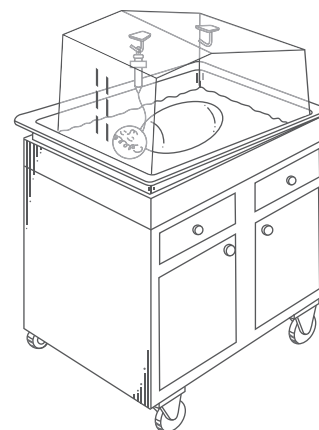
Each unit comes with 2 posey wraps.



Side



Back



Axon