

### Designed to assist in Bolus feeding for Pre-Term infants.

The Gavage Syringe Restraining Device "Tab Restraint" was designed to assist in the Bolus feeding of Pre-Term infants within NICU or PICU medical facilities. Designed to hang from top or side of isolette where vent holes are not present using a stainless tab and a 3M removable hook. The Gavage Syringe is secured in place with a Posey Wrap. Available in stainless steel.

- Saves Time
- Saves Costs
- Flexible Use In All Applications
- Reusable
- Designed for Mobility
- Strong Light Weight Design
- 1/2"W X 2 1/4"L

### Product List

#### Stainless Steel Tab Restraint

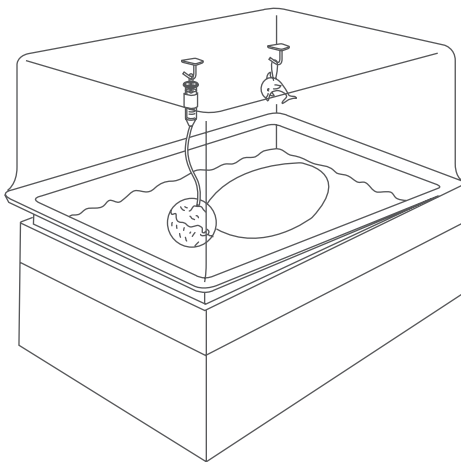
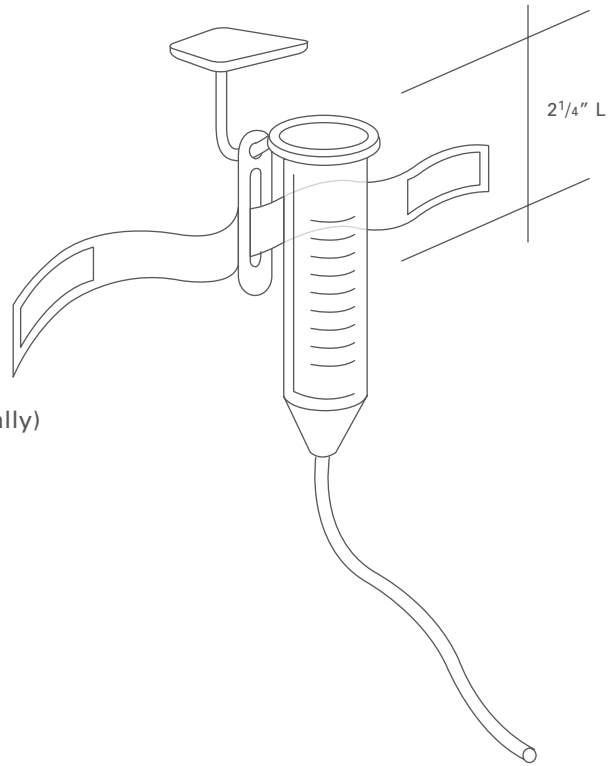
Each unit comes with 1 posey wrap.

#### 3M Small Wire Hook

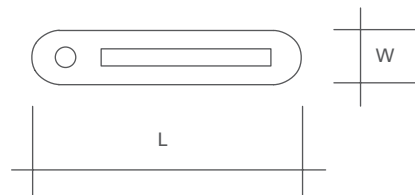
Each unit comes with additional adhesive strip.

**Additional Posey Wraps** (available per dozen)

**Additional Stainless Steel tabs** (available individually)



Axon



Side