

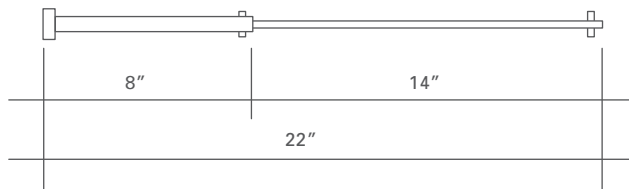
Designed to support and stabilize the flexible ventilator circuit for the 3100A High FOV for Infant/Pediatric Patients.

The Gavage Syringe Restraining Device "Trombone" was specifically designed to support and stabilize the flexible ventilator circuit for the SensorMedics 3100A High Frequency Oscillatory Ventilator. The combination of the dual cradles and telescoping arm, increases the stability of the circuit, especially when repositioning patients thereby decreasing the risk of accidental extubation due to drag of circuit tubing. Constructed of 304 aircraft grade stainless steel tubing and rod with an electro-polish finish.

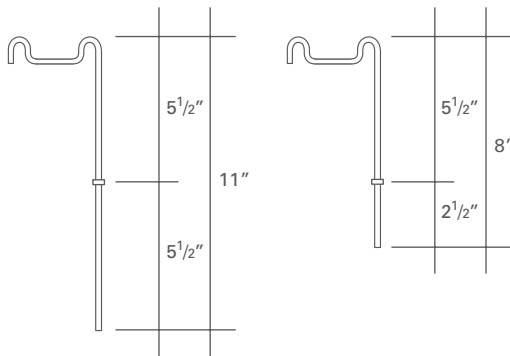
- Designed for Mobility
- Strong Light Weight Design
- Extendable from 15" - 22" L
- 5/8" and 3/4" 304 stainless tubing
- Black phenolic knurled knobs

Product List

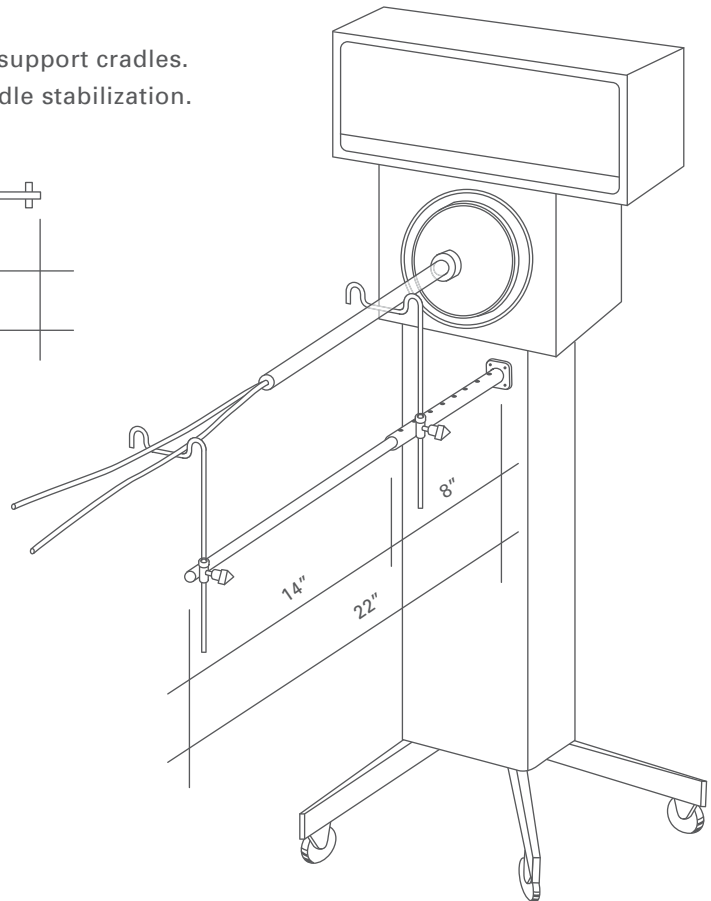
304 stainless steel tubing and 1/4" rod for support cradles.
Black phenolic plastic knurled knobs for cradle stabilization.



Trombone side elevation



Cradles side elevation



Axon